

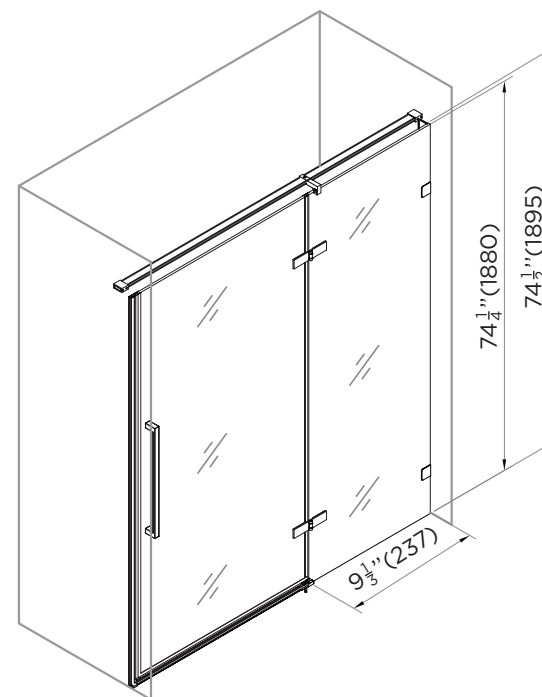
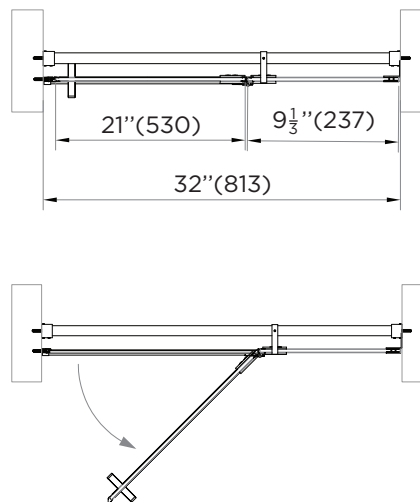
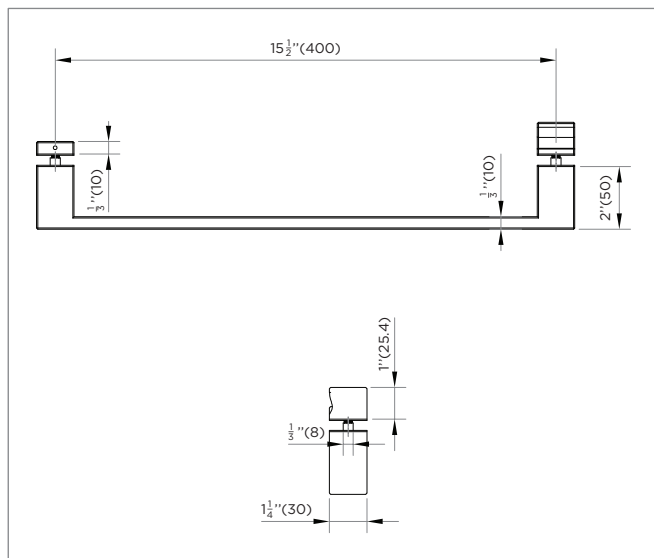
**SPECIFICATIONS / TECHNICAL DATA**

# SHOWER DOOR

## HINGED FRAMELESS

**32"**

HANDLE DIMENSIONS



*ATTENTION! Dimensions may vary by up to 3/8". It is highly recommended to pull all dimensions of actual model for installation and measuring purposes.*

**MODEL# SDH1-32**